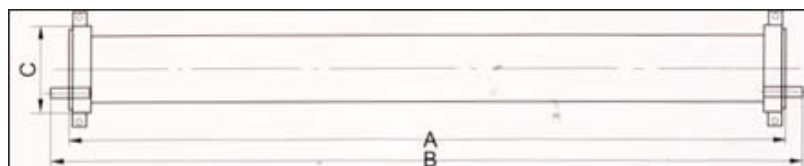


# **GENERAL TECHNOLOGIES, SPC**

- High-Quality Services & Products

产品介绍 Products

## RO MEMBRANE HOUSING (END-PORT)



规格	A	B	C	进口Dg	出口Dg
4021--1--A	595		150	20	15
4020--1--A	1089		150	20	15
4040--2--A	2105		150	20	15
4040--3--A	3121		150	20	20
4040--4--A	4137		150	20	20
4040--5--A	5153		150	20	20
8040--1--A	1138	1232	252	32	25
8040--2--A	2154	2248	252	40	25
8040--3--A	3170	3264	252	40	25
8040--4--A	4186	4280	252	40	25
8048--5--A	5202	5296	252	40	25

GENERAL TECHNOLOGIES, SPC  
- High-quality Services & Products

Tel:816-590-9641

Fax:253-663-9333

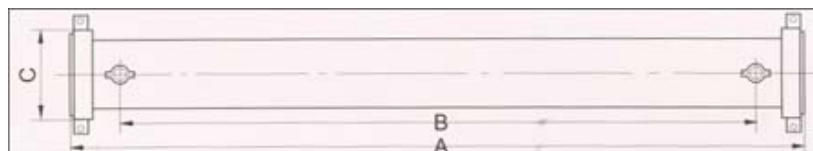
Email : [sales@gtspc.com](mailto:sales@gtspc.com)

# GENERAL TECHNOLOGIES, SPC

- High-Quality Services & Products

产品介绍 Products

## RO MEMBRANE HOUSING (SIDE-PORT)



规格	A	B	C	进口Dg	出口Dg
4040--1--B	1184	1040	150	20	15
4040--2--B	2200	2056	150	20	15
4040--3--B	3216	3072	150	20	20
4040--4--B	4232	4088	150	20	20
4040--5--B	5248	5104	150	20	20
8040--1--B	1238	1092	252	20	25
8040--2--B	2278	2102	252	40	25
8040--3--B	3294	3118	252	40	25
8040--4--B	4310	4134	252	40	25
8040--5--B	5326	5150	252	40	25
8040--6--B	6342	6166	252	40	25

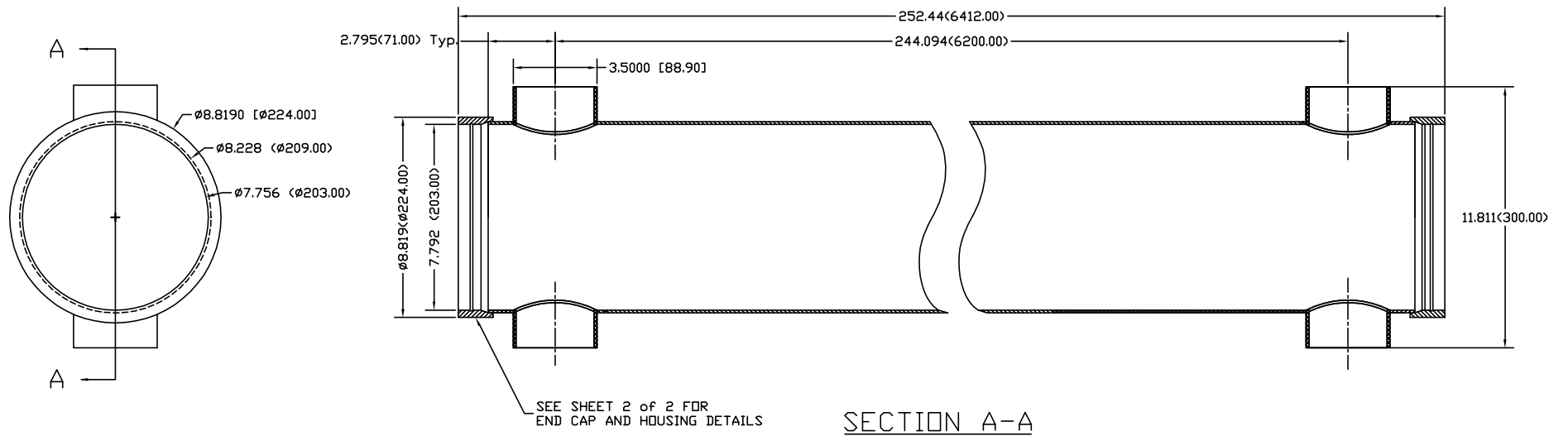
GENERAL TECHNOLOGIES, SPC  
- High-quality Services & Products

Tel:816-590-9641

Fax:253-663-9333

Email : [sales@gtspc.com](mailto:sales@gtspc.com)

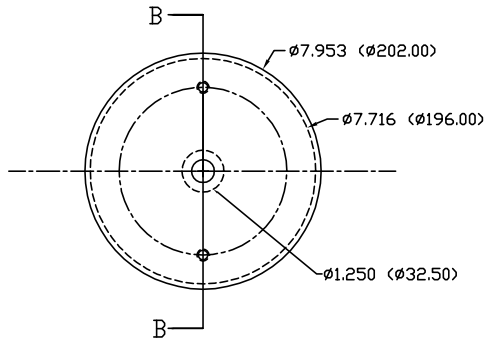
REVISIONS				
ZONE	REV	DESCRIPTION	DATE	APPROVED



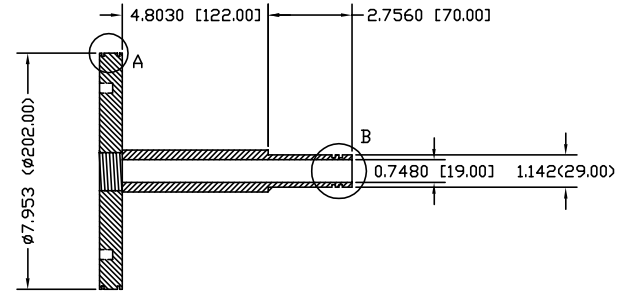
GENERAL TECHNOLOGIES, SPC

DRAWN BY: Richard		APPR BY: Feiyu Ma	
TITLE: 8" STAINLESS RO MEMBRANE HOUSING (6 - ELEMENTS)			
SIZE	MATERIAL	DWG NO.	REV A
SCALE: B	DATE: 09-1-2004	SHEET: 1 OF 2	

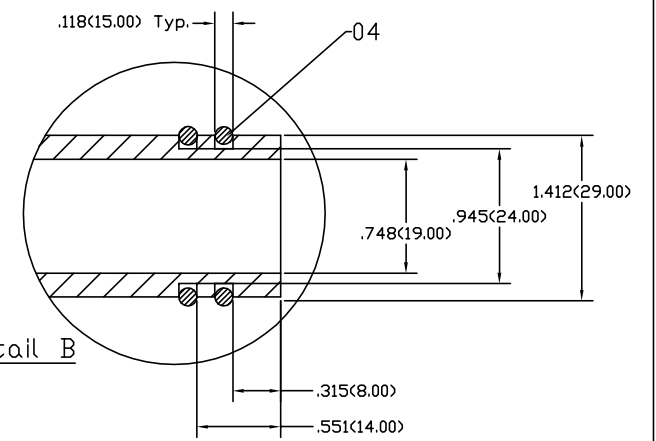
REVISIONS				
ZONE	REV	DESCRIPTION	DATE	APPROVED



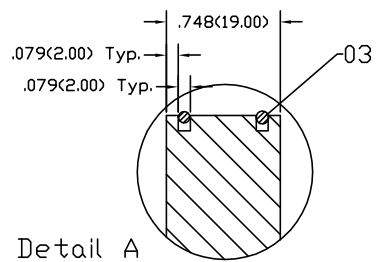
END CAP WITHOUT HOUSING



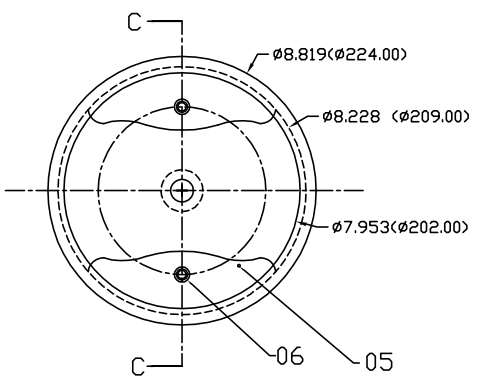
B - B SECTION



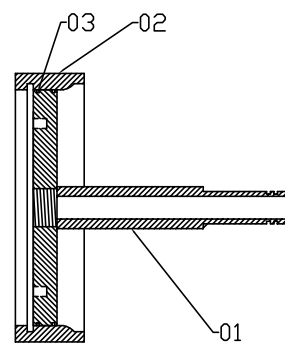
Detail B



Detail A



END CAP WITH HOUSING



C - C SECTION

06	Lock screw	2	Carbon Steel
05	Block plate	2	Stainless steel
04	Seal Ring 2	2	Rubber
03	Seal Ring 1	2	Rubber
02	End Cap housing	1	Stainless steel
01	End Cap	1	Stainless Steel
Item	Part Name	Qty	Material

GENERAL TECHNOLOGIES, SPC

DRAWN BY: Richard      APPR BY: Feiyu Ma

TITLE: END CAP AND END CAP HOUSING

SIZE	MATERIAL	DWG NO.	REV
			A

SCALE: B      DATE: 09-01-2004      SHEET: 2 OF 2